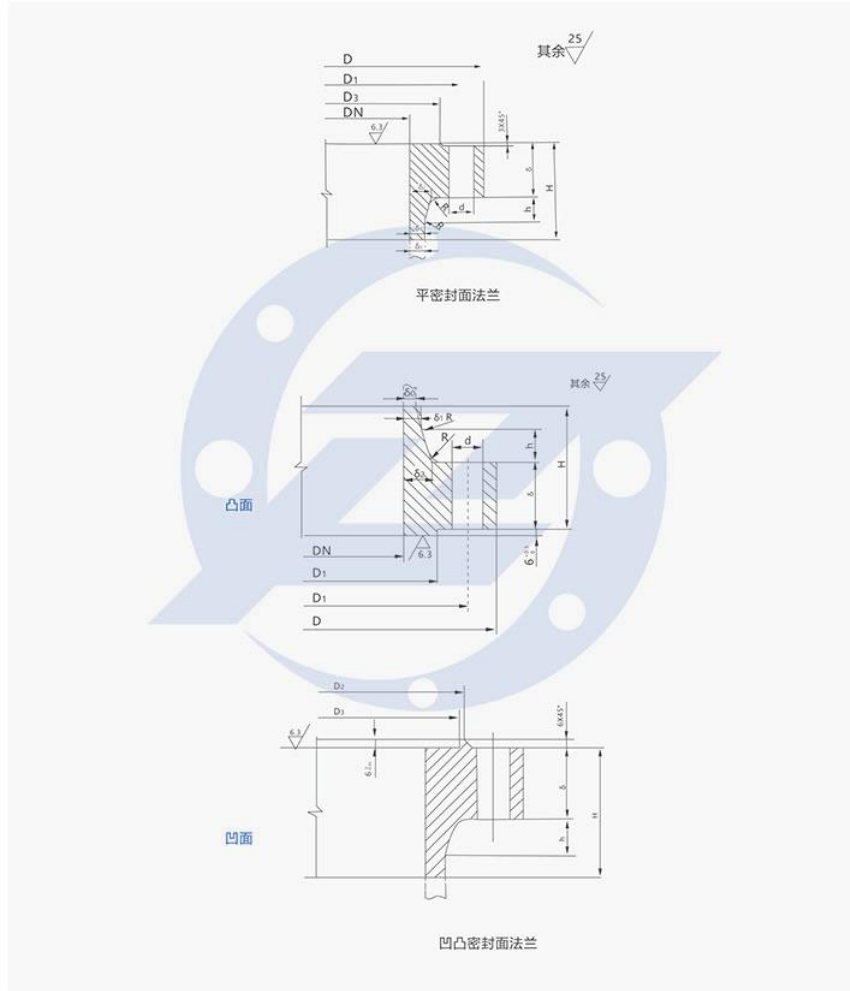


长颈对焊法兰 NB/T47023-2012(JB/T 4703-2000)
LONG NECK BUTT WELDING FLANGE



长颈对焊法兰尺寸 (JB/T4703-2000)

| 公称直径 DN | 法兰尺寸 | | | | | | | | | | | | | 螺栓 | | 对接筒体 | | |
|------------|------|------|------|------|------|-----|-----|----|----|----|----|----|----|----|-----|------|------|--|
| | D | D1 | D2 | D3 | D4 | δ | H | h | a | a1 | δ1 | δ2 | R | d | 规格 | 数量 | 最小厚度 | |
| PN=0.6MPa | | | | | | | | | | | | | | | | | | |
| 1300 | 1460 | 1415 | 1376 | 1356 | 1353 | 60 | 125 | 35 | 21 | 18 | 16 | 26 | 12 | 27 | M24 | 40 | 12 | |
| 1400 | 1560 | 1515 | 1476 | 1456 | 1453 | 62 | 135 | 40 | 21 | 18 | 16 | 26 | 12 | 27 | M24 | 44 | 12 | |
| 1500 | 1660 | 1615 | 1576 | 1556 | 1553 | 64 | 140 | 40 | 21 | 18 | 16 | 26 | 12 | 27 | M24 | 48 | 12 | |
| 1600 | 1760 | 1715 | 1676 | 1656 | 1653 | 66 | 145 | 40 | 21 | 18 | 16 | 26 | 12 | 27 | M24 | 52 | 12 | |
| 1700 | 1860 | 1815 | 1776 | 1756 | 1753 | 70 | 150 | 40 | 21 | 18 | 16 | 26 | 12 | 27 | M24 | 52 | 12 | |
| 1800 | 1960 | 1915 | 1876 | 1856 | 1853 | 70 | 150 | 40 | 21 | 18 | 16 | 26 | 12 | 27 | M24 | 52 | 14 | |
| 1900 | 2060 | 2015 | 1976 | 1956 | 1953 | 74 | 150 | 40 | 21 | 18 | 16 | 26 | 12 | 27 | M24 | 56 | 14 | |
| 2000 | 2160 | 2115 | 2076 | 2056 | 2053 | 76 | 150 | 40 | 21 | 18 | 16 | 26 | 12 | 27 | M24 | 60 | 14 | |
| 2100 | 2275 | 2225 | 2176 | 2156 | 2153 | 88 | 155 | 50 | 21 | 18 | 18 | 28 | 15 | 27 | M24 | 60 | 16 | |
| 2200 | 2375 | 2325 | 2276 | 2256 | 2253 | 96 | 165 | 50 | 21 | 18 | 18 | 28 | 15 | 27 | M24 | 64 | 16 | |
| 2300 | 2480 | 2430 | 2376 | 2356 | 2353 | 100 | 170 | 50 | 21 | 18 | 20 | 30 | 15 | 27 | M24 | 68 | 18 | |
| 2400 | 2590 | 2535 | 2476 | 2456 | 2453 | 104 | 175 | 50 | 21 | 18 | 20 | 30 | 15 | 30 | M27 | 56 | 18 | |
| 2500 | 2695 | 2640 | 2576 | 2556 | 2553 | 106 | 175 | 50 | 21 | 18 | 22 | 32 | 15 | 30 | M27 | 60 | 20 | |
| 2600 | 2795 | 2740 | 2676 | 2656 | 2653 | 110 | 180 | 50 | 21 | 18 | 22 | 32 | 15 | 30 | M27 | 64 | 20 | |
| PN=1.0MPa | | | | | | | | | | | | | | | | | | |
| 300 | 440 | 400 | 365 | 355 | 352 | 30 | 85 | 25 | 17 | 14 | 12 | 22 | 12 | 23 | M20 | 16 | 4 | |
| 350 | 490 | 450 | 415 | 405 | 402 | 32 | 90 | 25 | 17 | 14 | 12 | 22 | 12 | 23 | M20 | 16 | 4 | |
| 400 | 540 | 500 | 465 | 455 | 452 | 34 | 95 | 25 | 17 | 14 | 12 | 22 | 12 | 23 | M20 | 20 | 4 | |
| 450 | 590 | 550 | 515 | 505 | 502 | 34 | 95 | 25 | 17 | 14 | 12 | 22 | 12 | 23 | M20 | 20 | 6 | |
| 500 | 640 | 600 | 565 | 555 | 552 | 38 | 100 | 25 | 17 | 14 | 12 | 22 | 12 | 23 | M20 | 24 | 6 | |
| 550 | 690 | 650 | 615 | 605 | 602 | 40 | 100 | 25 | 17 | 14 | 12 | 22 | 12 | 23 | M20 | 24 | 6 | |
| 600 | 740 | 700 | 665 | 655 | 652 | 44 | 105 | 25 | 17 | 14 | 12 | 22 | 12 | 23 | M20 | 28 | 6 | |
| 650 | 790 | 750 | 715 | 705 | 702 | 46 | 105 | 25 | 17 | 14 | 12 | 22 | 12 | 23 | M20 | 28 | 8 | |
| 700 | 840 | 800 | 765 | 755 | 752 | 50 | 105 | 25 | 17 | 14 | 12 | 22 | 12 | 23 | M20 | 32 | 8 | |
| 800 | 940 | 900 | 865 | 855 | 852 | 50 | 105 | 25 | 17 | 14 | 12 | 22 | 12 | 23 | M20 | 32 | 8 | |
| 900 | 1040 | 1000 | 965 | 955 | 952 | 54 | 110 | 25 | 17 | 14 | 12 | 22 | 12 | 23 | M20 | 36 | 10 | |
| 1000 | 1140 | 1100 | 1065 | 1055 | 1052 | 56 | 110 | 25 | 17 | 16 | 12 | 22 | 12 | 23 | M20 | 40 | 10 | |
| 1100 | 1260 | 1215 | 1176 | 1156 | 1153 | 56 | 120 | 35 | 21 | 18 | 16 | 26 | 12 | 27 | M24 | 32 | 12 | |
| 1200 | 1360 | 1315 | 1276 | 1256 | 1253 | 56 | 125 | 35 | 21 | 18 | 16 | 26 | 12 | 27 | M24 | 36 | 12 | |
| 1300 | 1460 | 1415 | 1376 | 1356 | 1353 | 60 | 130 | 35 | 21 | 18 | 16 | 26 | 12 | 27 | M24 | 40 | 12 | |
| 1400 | 1560 | 1515 | 1476 | 1456 | 1453 | 62 | 140 | 40 | 21 | 18 | 16 | 26 | 12 | 27 | M24 | 44 | 12 | |
| 1500 | 1660 | 1615 | 1576 | 1556 | 1553 | 64 | 140 | 40 | 21 | 18 | 16 | 26 | 12 | 27 | M24 | 48 | 12 | |
| 1600 | 1760 | 1715 | 1676 | 1656 | 1653 | 70 | 145 | 40 | 21 | 18 | 16 | 26 | 12 | 27 | M24 | 52 | 12 | |
| 1700 | 1870 | 1815 | 1776 | 1756 | 1753 | 76 | 150 | 40 | 21 | 18 | 18 | 26 | 12 | 30 | M27 | 56 | 12 | |
| 1800 | 1970 | 1915 | 1876 | 1856 | 1853 | 80 | 150 | 40 | 21 | 18 | 18 | 26 | 12 | 30 | M27 | 56 | 14 | |
| 1900 | 2095 | 2040 | 1998 | 1978 | 1973 | 86 | 155 | 40 | 21 | 18 | 20 | 32 | 15 | 30 | M27 | 56 | 16 | |
| 2000 | 2195 | 2140 | 2098 | 2078 | 2075 | 94 | 165 | 40 | 21 | 18 | 20 | 32 | 15 | 30 | M27 | 60 | 16 | |
| 2100 | 2295 | 2240 | 2198 | 2178 | 2175 | 102 | 190 | 50 | 21 | 18 | 20 | 32 | 15 | 30 | M27 | 60 | 16 | |



长颈对焊法兰尺寸 (JB/T4703-2000)

| 公称直径 DN | 法兰尺寸 | | | | | | | | | | | | | | 螺栓 | | 对接筒体 |
|------------|------|------|------|------|------|-----|-----|----|----|----|----|----|----|----|-----|----|------------|
| | D | D1 | D2 | D3 | D4 | δ | H | h | a | a1 | δ1 | δ2 | R | d | 规格 | 数量 | 最小厚度 δs |
| PN=1.0MPa | | | | | | | | | | | | | | | | | |
| 2200 | 2395 | 2340 | 2298 | 2278 | 2275 | 112 | 200 | 50 | 21 | 18 | 20 | 32 | 15 | 30 | M27 | 64 | 16 |
| 2300 | 2515 | 2455 | 2398 | 2378 | 2375 | 120 | 210 | 50 | 21 | 18 | 22 | 34 | 15 | 33 | M30 | 60 | 18 |
| 2400 | 2615 | 2555 | 2498 | 2478 | 2475 | 128 | 215 | 50 | 21 | 18 | 22 | 34 | 15 | 33 | M30 | 64 | 18 |
| 2500 | 2720 | 2660 | 2598 | 2578 | 2575 | 130 | 215 | 50 | 21 | 18 | 24 | 36 | 15 | 33 | M30 | 68 | 20 |
| 2600 | 2820 | 2760 | 2698 | 2678 | 2675 | 136 | 220 | 50 | 21 | 18 | 24 | 36 | 15 | 33 | M30 | 72 | 20 |
| PN=1.6MPa | | | | | | | | | | | | | | | | | |
| 300 | 440 | 400 | 365 | 355 | 352 | 30 | 85 | 25 | 17 | 14 | 12 | 22 | 12 | 23 | M20 | 16 | 6 |
| 350 | 490 | 450 | 415 | 405 | 402 | 32 | 90 | 25 | 17 | 14 | 12 | 22 | 12 | 23 | M20 | 16 | 6 |
| 400 | 540 | 500 | 465 | 455 | 452 | 34 | 95 | 25 | 17 | 14 | 12 | 22 | 12 | 23 | M20 | 20 | 6 |
| 450 | 590 | 550 | 515 | 505 | 502 | 34 | 95 | 25 | 17 | 14 | 12 | 22 | 12 | 23 | M20 | 20 | 8 |
| 500 | 640 | 600 | 565 | 555 | 552 | 38 | 100 | 25 | 17 | 14 | 12 | 22 | 12 | 23 | M20 | 24 | 8 |
| 550 | 690 | 650 | 615 | 605 | 602 | 40 | 100 | 25 | 17 | 14 | 12 | 22 | 12 | 23 | M20 | 24 | 8 |
| 600 | 740 | 700 | 665 | 655 | 652 | 44 | 105 | 25 | 17 | 14 | 12 | 22 | 12 | 23 | M20 | 28 | 10 |
| 650 | 790 | 750 | 715 | 705 | 702 | 46 | 105 | 25 | 17 | 14 | 12 | 22 | 12 | 23 | M20 | 28 | 10 |
| 700 | 860 | 815 | 776 | 766 | 763 | 46 | 115 | 35 | 21 | 18 | 16 | 26 | 12 | 27 | M24 | 24 | 10 |
| 800 | 960 | 915 | 876 | 866 | 863 | 48 | 115 | 35 | 21 | 18 | 16 | 26 | 12 | 27 | M24 | 24 | 12 |
| 900 | 1060 | 1015 | 976 | 966 | 963 | 52 | 115 | 35 | 21 | 18 | 16 | 26 | 12 | 27 | M24 | 28 | 12 |
| 1000 | 1160 | 1115 | 1076 | 1066 | 1063 | 56 | 120 | 35 | 21 | 18 | 16 | 26 | 12 | 27 | M24 | 32 | 12 |
| 1100 | 1260 | 1215 | 1176 | 1166 | 1163 | 62 | 125 | 40 | 21 | 18 | 16 | 26 | 12 | 27 | M24 | 36 | 14 |
| 1200 | 1360 | 1315 | 1276 | 1266 | 1263 | 64 | 130 | 40 | 21 | 18 | 16 | 26 | 12 | 27 | M24 | 40 | 14 |
| 1300 | 1460 | 1415 | 1376 | 1366 | 1363 | 74 | 140 | 40 | 21 | 18 | 16 | 26 | 12 | 27 | M24 | 44 | 14 |
| 1400 | 1560 | 1515 | 1476 | 1466 | 1463 | 84 | 150 | 40 | 21 | 18 | 16 | 32 | 12 | 27 | M24 | 52 | 14 |
| 1500 | 1695 | 1640 | 1598 | 1578 | 1575 | 84 | 155 | 42 | 21 | 18 | 20 | 32 | 15 | 30 | M27 | 48 | 16 |
| 1600 | 1795 | 1740 | 1698 | 1678 | 1675 | 86 | 165 | 48 | 21 | 18 | 20 | 32 | 15 | 30 | M27 | 52 | 16 |
| 1700 | 1895 | 1840 | 1798 | 1778 | 1775 | 86 | 165 | 48 | 21 | 18 | 22 | 32 | 15 | 30 | M27 | 56 | 18 |
| 1800 | 1995 | 1940 | 1898 | 1878 | 1875 | 94 | 170 | 48 | 21 | 18 | 22 | 32 | 15 | 30 | M27 | 64 | 18 |
| 1900 | 2115 | 2055 | 2010 | 1990 | 1987 | 94 | 185 | 56 | 26 | 23 | 24 | 36 | 15 | 33 | M30 | 56 | 20 |
| 2000 | 2215 | 2155 | 2110 | 2090 | 2087 | 102 | 190 | 56 | 26 | 23 | 24 | 36 | 15 | 33 | M30 | 64 | 20 |
| 2100 | 2340 | 2270 | 2210 | 2190 | 2187 | 116 | 215 | 68 | 26 | 23 | 26 | 38 | 15 | 39 | M36 | 56 | 22 |
| 2200 | 2440 | 2370 | 2310 | 2290 | 2287 | 130 | 230 | 68 | 26 | 23 | 26 | 38 | 15 | 39 | M36 | 60 | 22 |
| 2300 | 2540 | 2470 | 2410 | 2390 | 2387 | 142 | 245 | 68 | 26 | 23 | 26 | 38 | 15 | 39 | M36 | 64 | 22 |
| 2400 | 2650 | 2575 | 2510 | 2490 | 2487 | 150 | 250 | 68 | 26 | 23 | 28 | 40 | 15 | 39 | M36 | 68 | 24 |
| 2500 | 2775 | 2690 | 2610 | 2590 | 2587 | 168 | 275 | 74 | 26 | 23 | 28 | 40 | 15 | 45 | M42 | 60 | 24 |
| 2600 | 2875 | 2790 | 2710 | 2690 | 2687 | 180 | 290 | 74 | 26 | 23 | 28 | 40 | 15 | 45 | M42 | 64 | 24 |
| PN=2.5MPa | | | | | | | | | | | | | | | | | |
| 300 | 440 | 400 | 365 | 355 | 352 | 32 | 85 | 25 | 17 | 14 | 12 | 22 | 12 | 23 | M20 | 16 | 6 |
| 350 | 490 | 450 | 415 | 405 | 402 | 32 | 90 | 25 | 17 | 14 | 12 | 22 | 12 | 23 | M20 | 16 | 6 |
| 400 | 540 | 500 | 465 | 455 | 452 | 36 | 95 | 25 | 17 | 14 | 12 | 22 | 12 | 23 | M20 | 20 | 8 |

长颈对焊法兰尺寸 (JB/T4703-2000)

| 公称直径 DN | 法兰尺寸 | | | | | | | | | | | | | | 螺栓 | | 对接筒体 |
|------------|------|------|------|------|------|-----|-----|----|----|----|----|----|----|----|-----|----|------------|
| | D | D1 | D2 | D3 | D4 | δ | H | h | a | a1 | δ1 | δ2 | R | d | 规格 | 数量 | 最小厚度 δs |
| PN=2.5MPa | | | | | | | | | | | | | | | | | |
| 450 | 590 | 550 | 515 | 505 | 502 | 36 | 95 | 25 | 17 | 14 | 12 | 22 | 12 | 23 | M20 | 20 | 8 |
| 500 | 660 | 615 | 576 | 566 | 563 | 40 | 105 | 35 | 21 | 18 | 16 | 26 | 12 | 27 | M24 | 20 | 10 |
| 550 | 710 | 665 | 626 | 616 | 613 | 40 | 105 | 35 | 21 | 18 | 16 | 26 | 12 | 27 | M24 | 20 | 10 |
| 600 | 760 | 715 | 676 | 666 | 663 | 42 | 110 | 35 | 21 | 18 | 16 | 26 | 12 | 27 | M24 | 24 | 10 |
| 650 | 810 | 765 | 726 | 716 | 713 | 46 | 115 | 35 | 21 | 18 | 16 | 26 | 12 | 27 | M24 | 24 | 10 |
| 700 | 860 | 815 | 776 | 766 | 763 | 50 | 120 | 35 | 21 | 18 | 16 | 26 | 12 | 27 | M24 | 28 | 10 |
| 800 | 960 | 915 | 876 | 866 | 863 | 58 | 125 | 35 | 21 | 18 | 16 | 26 | 12 | 27 | M24 | 32 | 12 |
| 900 | 1095 | 1040 | 998 | 988 | 985 | 60 | 145 | 42 | 21 | 18 | 20 | 32 | 15 | 30 | M27 | 32 | 12 |
| 1000 | 1195 | 1140 | 1098 | 1088 | 1085 | 68 | 155 | 42 | 21 | 18 | 20 | 32 | 15 | 30 | M27 | 36 | 14 |
| 1100 | 1295 | 1240 | 1198 | 1178 | 1175 | 72 | 165 | 42 | 21 | 18 | 22 | 32 | 15 | 30 | M27 | 40 | 14 |
| 1200 | 1395 | 1340 | 1298 | 1278 | 1275 | 84 | 185 | 48 | 21 | 18 | 22 | 32 | 15 | 30 | M27 | 48 | 14 |
| 1300 | 1495 | 1440 | 1398 | 1378 | 1375 | 88 | 185 | 48 | 21 | 18 | 22 | 32 | 15 | 30 | M27 | 56 | 16 |
| 1400 | 1595 | 1540 | 1498 | 1478 | 1475 | 100 | 195 | 48 | 21 | 18 | 22 | 32 | 15 | 30 | M27 | 60 | 16 |
| 1500 | 1715 | 1655 | 1610 | 1590 | 1587 | 102 | 200 | 56 | 26 | 23 | 24 | 36 | 15 | 33 | M30 | 60 | 18 |
| 1600 | 1815 | 1755 | 1710 | 1690 | 1687 | 112 | 210 | 56 | 26 | 23 | 24 | 36 | 15 | 33 | M30 | 64 | 20 |
| 1700 | 1950 | 1880 | 1829 | 1809 | 1806 | 112 | 230 | 64 | 26 | 23 | 28 | 42 | 18 | 39 | M36 | 52 | 20 |
| 1800 | 2050 | 1980 | 1929 | 1909 | 1906 | 122 | 235 | 64 | 26 | 23 | 28 | 42 | 18 | 39 | M36 | 56 | 22 |
| 1900 | 2150 | 2080 | 2029 | 2009 | 2006 | 132 | 235 | 64 | 26 | 23 | 28 | 42 | 18 | 39 | M36 | 64 | 24 |
| 2000 | 2250 | 2180 | 2129 | 2109 | 2106 | 144 | 245 | 64 | 26 | 23 | 28 | 42 | 18 | 39 | M36 | 68 | 24 |
| 2100 | 2390 | 2305 | 2229 | 2209 | 2206 | 158 | 270 | 72 | 26 | 23 | 32 | 48 | 18 | 45 | M42 | 64 | 26 |
| 2200 | 2490 | 2405 | 2329 | 2309 | 2306 | 172 | 295 | 80 | 26 | 23 | 32 | 48 | 18 | 45 | M42 | 78 | 26 |
| 2300 | 2590 | 2505 | 2429 | 2409 | 2406 | 182 | 315 | 86 | 26 | 23 | 32 | 48 | 18 | 45 | M42 | 72 | 26 |
| 2400 | 2720 | 2620 | 2529 | 2509 | 2506 | 190 | 320 | 86 | 26 | 23 | 34 | 50 | 18 | 52 | M48 | 60 | 28 |
| 2500 | 2820 | 2720 | 2629 | 2609 | 2606 | 200 | 335 | 90 | 26 | 23 | 34 | 50 | 18 | 52 | M48 | 64 | 28 |
| 2600 | 2920 | 2820 | 2729 | 2709 | 2706 | 210 | 355 | 96 | 26 | 23 | 34 | 50 | 18 | 52 | M48 | 68 | 28 |
| PN=4.0MPa | | | | | | | | | | | | | | | | | |
| 300 | 460 | 415 | 376 | 366 | 363 | 40 | 105 | 35 | 21 | 18 | 16 | 26 | 12 | 27 | M24 | 16 | 8 |
| 350 | 510 | 465 | 426 | 416 | 413 | 42 | 110 | 35 | 21 | 18 | 16 | 26 | 12 | 27 | M24 | 16 | 8 |
| 400 | 560 | 515 | 476 | 466 | 463 | 42 | 110 | 35 | 21 | 18 | 16 | 26 | 12 | 27 | M24 | 20 | 12 |
| 450 | 610 | 565 | 526 | 516 | 513 | 46 | 110 | 35 | 21 | 18 | 16 | 26 | 12 | 27 | M24 | 20 | 12 |
| 500 | 660 | 615 | 576 | 566 | 563 | 46 | 110 | 35 | 21 | 18 | 16 | 26 | 12 | 27 | M24 | 24 | 12 |
| 550 | 710 | 665 | 626 | 616 | 613 | 52 | 115 | 35 | 21 | 18 | 16 | 26 | 12 | 27 | M24 | 28 | 12 |
| 600 | 760 | 715 | 676 | 666 | 663 | 58 | 120 | 35 | 21 | 18 | 16 | 26 | 12 | 27 | M24 | 32 | 12 |
| 650 | 845 | 790 | 748 | 738 | 735 | 60 | 135 | 42 | 21 | 18 | 20 | 32 | 15 | 30 | M27 | 28 | 14 |
| 700 | 895 | 840 | 798 | 788 | 785 | 64 | 140 | 42 | 21 | 18 | 20 | 32 | 15 | 30 | M27 | 32 | 14 |
| 800 | 995 | 940 | 898 | 888 | 885 | 70 | 150 | 42 | 21 | 18 | 22 | 32 | 15 | 30 | M27 | 40 | 16 |
| 900 | 1115 | 1055 | 1010 | 1000 | 997 | 86 | 170 | 42 | 26 | 23 | 24 | 36 | 15 | 33 | M30 | 40 | 16 |

长颈对焊法兰尺寸 (JB/T4703-2000) (mm)

| 公称直径 DN | 法兰尺寸 | | | | | | | | | | | | | | | 对接筒体 | |
|------------|------|------|------|------|------|-----|-----|----|----|----|----|----|-----|----|-----|------|------------|
| | D | D1 | D2 | D3 | D4 | δ | H | h | a | a1 | δ1 | δ2 | R | d | 规格 | 数量 | 最小厚度 δs |
| PN=4.0MPa | | | | | | | | | | | | | | | | | |
| 1000 | 1215 | 1155 | 1110 | 1100 | 1097 | 100 | 175 | 42 | 26 | 23 | 24 | 36 | 15 | 33 | M30 | 48 | 18 |
| 1100 | 1350 | 1280 | 1229 | 1209 | 1206 | 104 | 195 | 48 | 26 | 23 | 28 | 42 | 18 | 39 | M36 | 40 | 20 |
| 1200 | 1450 | 1380 | 1329 | 1309 | 1306 | 120 | 205 | 48 | 26 | 23 | 28 | 42 | 18 | 39 | M36 | 44 | 22 |
| 1300 | 1550 | 1480 | 1429 | 1409 | 1406 | 126 | 220 | 56 | 26 | 23 | 28 | 42 | 18 | 39 | M36 | 52 | 22 |
| 1400 | 1650 | 1580 | 1529 | 1509 | 1506 | 130 | 235 | 64 | 26 | 23 | 28 | 42 | 18 | 39 | M36 | 60 | 22 |
| 1500 | 1750 | 1680 | 1629 | 1609 | 1606 | 144 | 250 | 64 | 26 | 23 | 28 | 42 | 18 | 39 | M36 | 64 | 22 |
| 1600 | 1850 | 1780 | 1729 | 1709 | 1706 | 158 | 265 | 64 | 26 | 23 | 28 | 42 | 18 | 39 | M36 | 68 | 22 |
| 1700 | 1990 | 1905 | 1829 | 1809 | 1806 | 176 | 290 | 74 | 26 | 23 | 32 | 48 | 18 | 45 | M42 | 60 | 26 |
| 1800 | 2110 | 2015 | 1929 | 1909 | 1906 | 196 | 310 | 74 | 26 | 23 | 32 | 48 | 18 | 52 | M48 | 56 | 26 |
| 1900 | 2215 | 2120 | 2029 | 2009 | 2006 | 210 | 325 | 74 | 26 | 23 | 34 | 50 | 18 | 52 | M48 | 64 | 28 |
| 2000 | 2315 | 2220 | 2109 | 2129 | 2106 | 222 | 340 | 74 | 26 | 23 | 34 | 50 | 18 | 52 | M48 | 68 | 28 |
| PN=6.4MPa | | | | | | | | | | | | | | | | | |
| 300 | 460 | 415 | 376 | 366 | 363 | 46 | 110 | 35 | 21 | 18 | 16 | 26 | 12 | 27 | M24 | 16 | 8 |
| 350 | 510 | 465 | 426 | 416 | 413 | 48 | 115 | 35 | 21 | 18 | 16 | 26 | 12 | 27 | M24 | 20 | 8 |
| 400 | 560 | 515 | 476 | 466 | 463 | 56 | 120 | 35 | 21 | 18 | 16 | 26 | 12 | 27 | M24 | 24 | 12 |
| 450 | 645 | 590 | 548 | 538 | 535 | 60 | 130 | 36 | 21 | 18 | 20 | 32 | 15 | 30 | M27 | 24 | 12 |
| 500 | 695 | 640 | 598 | 588 | 585 | 68 | 140 | 36 | 21 | 18 | 20 | 32 | 15 | 30 | M27 | 28 | 12 |
| 550 | 745 | 690 | 648 | 638 | 635 | 78 | 150 | 36 | 21 | 18 | 20 | 32 | 15 | 30 | M27 | 32 | 12 |
| 600 | 815 | 755 | 710 | 700 | 697 | 82 | 160 | 42 | 26 | 23 | 22 | 36 | 15 | 33 | M30 | 32 | 14 |
| 650 | 865 | 825 | 760 | 750 | 747 | 92 | 165 | 42 | 26 | 23 | 22 | 36 | 15 | 33 | M30 | 36 | 16 |
| 700 | 950 | 805 | 829 | 819 | 816 | 92 | 185 | 48 | 26 | 23 | 26 | 42 | 18/ | 39 | M36 | 32 | 18 |
| 800 | 1050 | 980 | 929 | 919 | 916 | 112 | 200 | 48 | 26 | 23 | 26 | 42 | 18 | 39 | M36 | 36 | 18 |
| 900 | 1195 | 1110 | 1029 | 1019 | 1016 | 132 | 230 | 58 | 26 | 23 | 30 | 48 | 18 | 45 | M42 | 36 | 22 |
| 1000 | 1295 | 1210 | 1129 | 1119 | 1116 | 146 | 245 | 58 | 26 | 23 | 32 | 50 | 18 | 45 | M42 | 40 | 24 |
| 1100 | 1420 | 1325 | 1229 | 1219 | 1216 | 160 | 265 | 66 | 26 | 23 | 34 | 52 | 18 | 52 | M48 | 40 | 26 |
| 1200 | 1520 | 1425 | 1329 | 1319 | 1316 | 176 | 275 | 66 | 26 | 23 | 34 | 52 | 18 | 52 | M48 | 44 | 28 |



至丰法兰
ZHIFENG FLANGE

ZHEJIANG ZHIFENG FLANGE
TECHNOLOGY CO., LTD.

不锈钢法兰优质供应商
SUPPLIER OF STAINLESS STEEL FLANGE